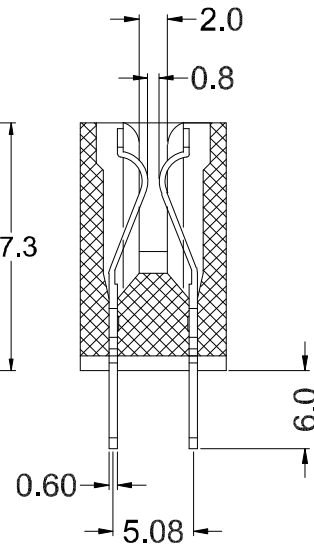
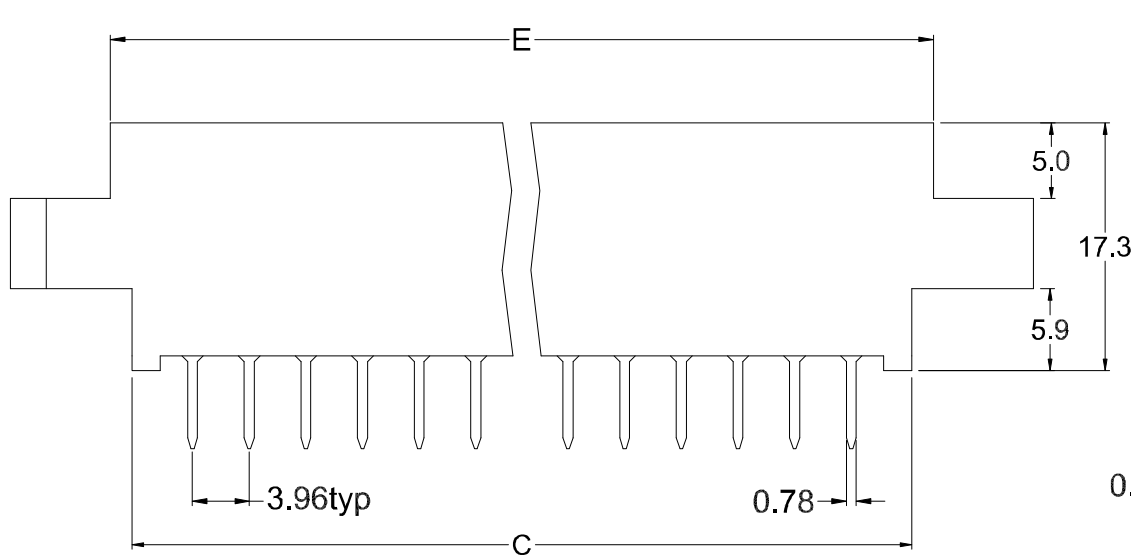


绝缘体 Insulator: Glass filled PBT UL94V-0 ,Black
 接触件 Contacts: Brass or Phosphor Bronze
 电镀层 Plating Contact Gold and Dip Tin over Nickel

电气性能 Electrical Characteristics:
 接触电阻 Contact Resistance: 30mΩmax. at DC 100mA
 绝缘电阻 Insulator Resistance: 1000MΩmin. at 500V DC
 耐压 Withstanding Voltage: 1000V AC/rms 50Hz For 1 minute
 工作电流 Current Rating: 3 AMP
 使用温度范围 Operating Temperature: -55°C~+105°C



Dimension	Position	A	B	C	D	E
	44	108.80	102.30	91.70	83.16	94.90
	56	132.56	126.06	115.46	106.92	118.66
	86	191.96	185.46	174.86	166.32	178.06
	100	219.68	213.18	202.58	194.04	205.78

PRODUCT		With Mounting Ears SOLT-3.96mm		GENERAL TOLERANCE		DESIGNED		chizon CHIZON(CI XI)	
产品名称		S-3.96带耳总线		x.: ±0.3 x.x: ±0.2 x.xx: ±0.1		设计		ELECTRONIC CO.,LTD.	
SERIES NO		QC930		ANGLE TOLERANCE		DRAWING		啓宸(慈溪)电子有限公司	
序列号				x.: ±2° x.x: ±1° x.xx: ±0.5°		制图		DRAWING NO.	
CUSTOMER P/N		S-3.96-86P		PROJECTION		CHECKED		REV.	
客户料号				第一角		审核		0	
UNITS		mm		SCALE		APPROVED		SHEET SIZE	
单位				比例		核准		A4	
标记		处数		2:1		G.x.zhang		SHEET	
描述		更改文件号		日期				1 OF 1	
		签字						COMPUTER NO.	
								F / denk / 工程图 / SOLT	