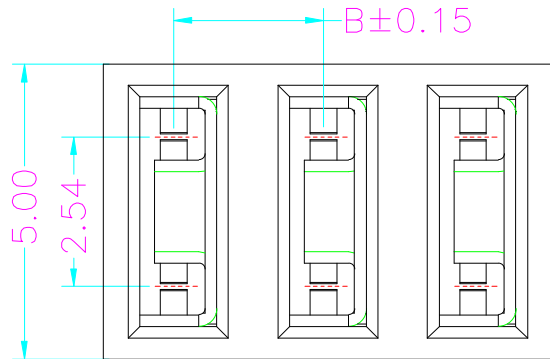
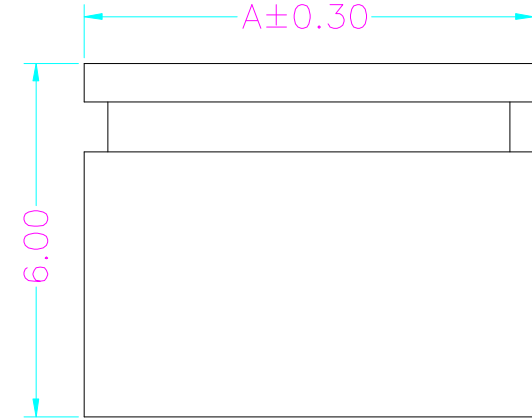
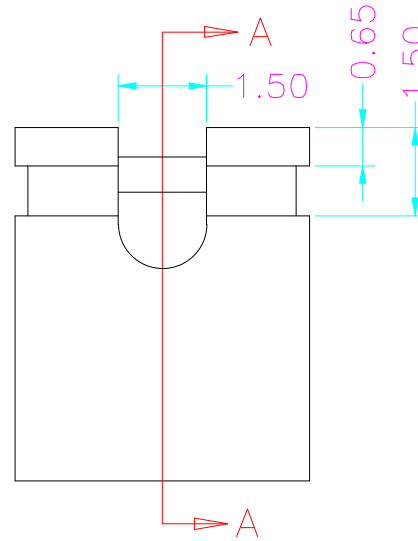


SECTION A-A



SET	A	B
2	5.08	2.54
3	7.62	5.08
4	10.16	7.62
5	12.70	10.16
6	15.24	12.70
8	20.32	17.78
9	22.86	20.32

SPECIFICATION:

1. Insulator Material: PBT+GF(UL94-0), Black.
2. Contact Material: Copper alloy.
3. Contact Area Plated: Gold over Nickel or Tin.

SCALE	DESCRIPTION	CHK	DATE	TITLE	GENERAL TOLERANCE	DRAWN BY	DATE	CHIZON (CI XI) ELECTRONIC CO.,LTD. 啓宸(慈溪)電子有限公司			
				2.54开口连体短路块(H=6.0mm)	x.: ±0.3 x.x: ±0.2 x.xx: ±0.1			CHIZON (CI XI) ELECTRONIC CO.,LTD. 啓宸(慈溪)電子有限公司			
				SERIES		CHECKED BY	DATE				
				CUSTOMER P/N		APPROVED BY	DATE	DRAWING NO.	SHEET	1 OF 1	
				UNITS	mm	PROJECTION		SHEET SIZE	A4	REV.	A0
				SCALE	1:1		2022.07.25 G.x.zhang				