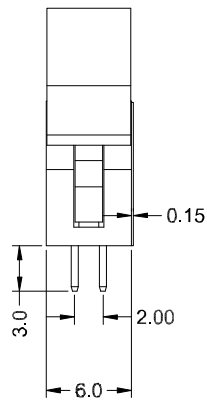
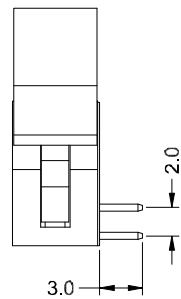


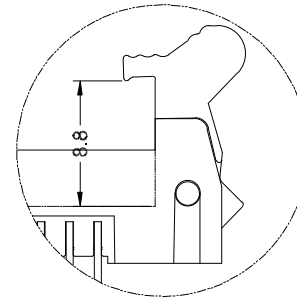
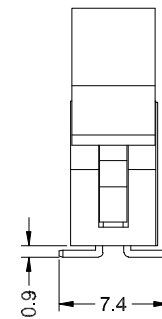
Straight Type



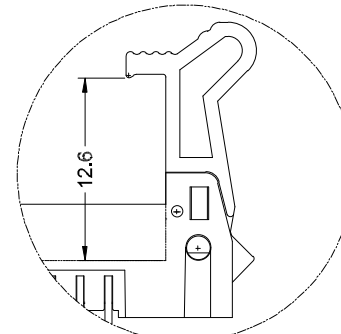
Right Angle Type



Surface Mount Type



Short Lever



Long Lever

材质 Material:

绝缘体 Insulator: Glass filled PBT UL94V-0
 接触件 Contacts: Brass
 电镀层 Plating: Whole Gold plated over Nickel

电气性能 Electrical Characteristics:

接触电阻 Contact Resistance: 20mΩmax. at DC 100mA
 绝缘电阻 Insulator Resistance: 1000MΩmin. at 500V DC
 耐压 Withstanding Voltage: 1000V AC/rms 50Hz For 1 minute
 工作电流 Current Rating: 2 AMP
 使用温度范围 Operating Temperature: -55°C~+105°C

Dimension

Position	A	B	C
10	25.50	16.10	8.00
14	29.50	20.10	12.00
16	31.50	22.10	14.00
18	33.50	24.10	16.00
20	35.50	26.10	18.00
22	37.50	28.10	20.00
24	39.50	30.10	22.00

Position	A	B	C
26	41.50	32.10	24.00
30	45.50	36.10	28.00
34	49.50	40.10	32.00
40	55.50	46.10	38.00
44	59.50	50.10	42.00
50	65.50	56.10	48.00

TITLE		EJECTOR HEADER 2.00mm 2.0/DC2型牛角插针		GENERAL TOLERANCE x.: ±0.3 x.x: ±0.2 x.xx: ±0.1		DRAWN BY DATE HWJ 10/09/12		CHIZON CHIZON(CI XI) ELECTRONIC CO.,LTD. 啓宸(慈溪)電子有限公司	
SERIES		QC204		ANGLE TOLERANCE x.: ±2° x.x: ±1° x.xx: ±0.5°		CHECKED BY DATE 張國校			
CUSTOMER P/N				UNITS		APPROVED BY DATE PMW 10/09/13		DRAWING NO.	
UNITS		mm		SCALE		2:1		SHEET 1 OF 1	
SCALE		DESCRIPTION		CHK		DATE		SHEET SIZE A4	
								REV. AO	